

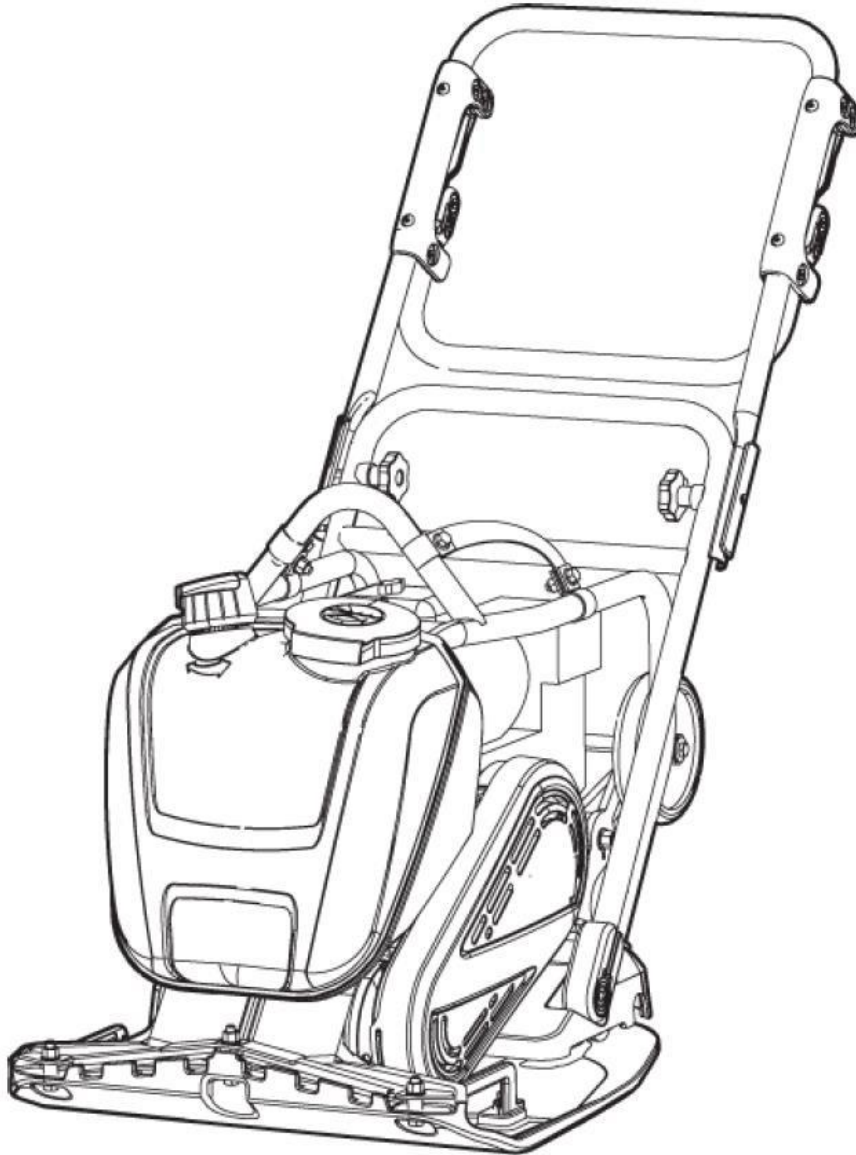
LF 80

Spare parts list

Forward plate

LF 80

Engine: Honda GX 160



General information

This spare parts list applies to the following:

Part number	Description
967855001	COMPACTORS LF 80 L Honda
967855002	COMPACTORS LF 80 LAT Honda

Use only authorized parts. Any damage or malfunction caused by the use of unauthorized parts is not covered by Warranty or Product Liability. Any unauthorized use or copying of the contents or any part thereof is prohibited. This applies in particular to trademarks, model denominations, part numbers, and drawings.

Instructions for use

This spare parts list contains no safety regulations and is merely intended to assist in the ordering of spare parts.

For information about operating, servicing, or repairing, the relevant Safety and operating instructions must be consulted at all costs.

Please observe the safety instructions listed in the relevant Safety and operating instructions!

Kits and consumables	1
----------------------	---

Preventative Maintenance Kits

Start Up Kit, Honda	3
12 months / 200 hours service kit	5

Service, repair and wear part kits

Shock absorber repair kit	7
Eccentric element repair kit	9
Block paving plate kit 420 mm (16.5 in.)	11
Transport device kit	13
Sprinkler system kit	15
Fork lifting device kit	17
Vibration damped handle kit	19

Refurbishment kits

595388001 GoldKit LF 80	21
594219101 SilverKit LF 80	23
595386301 CosmeticKit LF 80	25
595388101 GoldKit LF 80 LAT	27
594219101 SilverKit_LF_80_LAT	29
594215801 CosmeticKit LF 80 LAT	31

Spare parts list

Engine plate installation, Honda	33
Ground plate installation	35
Block paving plate 420 mm (16.5 in.)	37
Lifting handle	39
Transport device, old version	41
Transport device, new version	43
Sprinkler system	45
Fork lifting device	47
Engine installation, Honda	49
Engine, Honda GX 160 UT2 SXS4 OH	51
Transmission cover, Honda	54
Standard handle, old version	57
Standard handle for Honda, new version	59
Vibration damped handle	61
Labels	63

Kits and consumables

Service offers resume LF80	Item	Number	Description
Lubricants	1		Can Paroil E Mission Green 5 Liter/1.32 Gallon
	2		Can Paroil E Mission Green 20 Liter/5.3 Gallon
	3		Can Paroil E Mission Green 210 Liter/55.5 Gallon
Preventive maintenance	4	594194101	One year service kit
Upgrade kits	5	594205001	Vibration damped handle kit
	6	594761101	Complete handle kit std.
	7	594204901	Transport device kit
Wear & Repair Kits	8	594194401	Eccentric element repair kit
	9	594194601	Shock absorber repair kit

Item	Part No.	Name	Qty	L
1	-	Drum Paroil Mission green 210 Liter/55.5 Gallon	1	
2	-	Can Paroil Mission green 20 Liter/5.3 Gallon	1	
3	-	Drum Paroil Mission green 210 Liter/55.5 Gallon	1	
4	594194101	One year service kit	1	
5	594205001	Vibration damped handle kit	1	
6	594761101	Can Paroil E Mission Green 5 Liter/1.32 Gallon	1	
7	594204901	Transport device kit	1	
8	594194401	Eccentric element repair kit	1	
9	594194601	Shock absorber repair kit	1	

Preventative Maintenance Kits Start Up Kit, Honda

NO EXPLODED VIEW
AVAILABLE
FOR THIS BOM

Item	Part No.	Name	Qty	L
1	595385301	Start Up Kit		
2	594216201	12 months / 200 hours service kit	1	
3	594302101	Air Filter, complete	1	
4	594488801	V-belt	1	
5	594302101	Air Filter, complete	1	

Preventative Maintenance Kits 12 months / 200 hours service kit

NO EXPLODED VIEW
AVAILABLE
FOR THIS BOM

Item	Part No.	Name	Qty	L
1	594216201	12 months / 200 hours service kit	1	
2	594302101	Air Filter, complete	1	
3	594488801	V-belt	1	

Service, repair and wear part kits Shock absorber repair kit

NO EXPLODED VIEW
AVAILABLE
FOR THIS BOM

Item	Part No.	Name	Qty	L
1	594194601	Shock absorber repair kit	1	
2	594341901	Shock absorber	4	A
3	594526401	Square taper washer	4	B
4	595184801	Hexagon nut with flange	8	
5	594480401	Shock absorber	2	C
6	595058101	Screw, M12 x 50 mm 8.8 A3K , See section "Handle, standard".	2	

Comments for Page: Shock absorber repair kit

(L)OCAL REMARKS

A | For ground plate

See section "Ground plate installation".

B | See section "Ground plate installation".

C | For handle

See section "Handle, standard".

Service, repair and wear part kits Eccentric element repair kit

NO EXPLODED VIEW
AVAILABLE
FOR THIS BOM

Item	Part No.	Name	Qty	L
1	594194401	Eccentric element repair kit	1	
2	595185701	Screw, M8x25mm 8.8 A2K	1	
3	595187201	Washer, 8.4x22x3 mm 300HV	1	
4	595048001	Lip-type oil seal	1	A
5	594523301	Screw, M6x16 mm 8.8 A2K	6	
6	594526101	Ball bearing	2	B

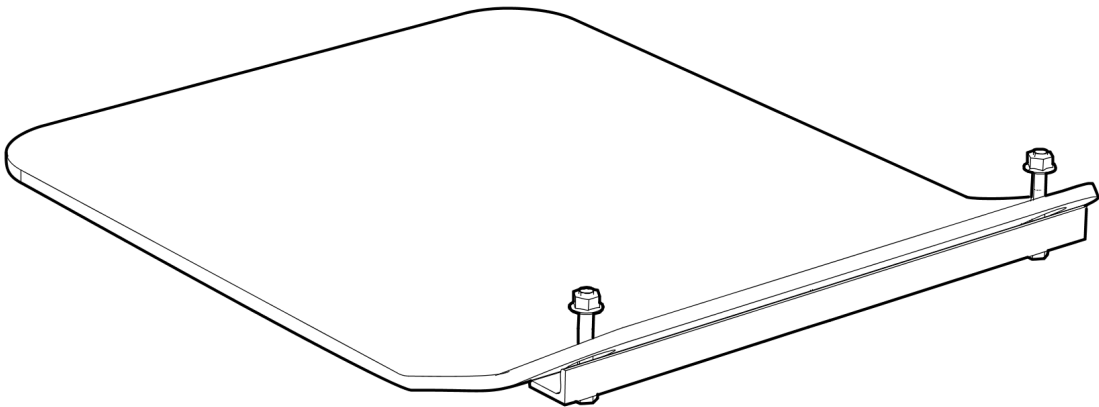
Comments for Page: Eccentric element repair kit

(L)OCAL REMARKS

A | See section "Ground plate installation".

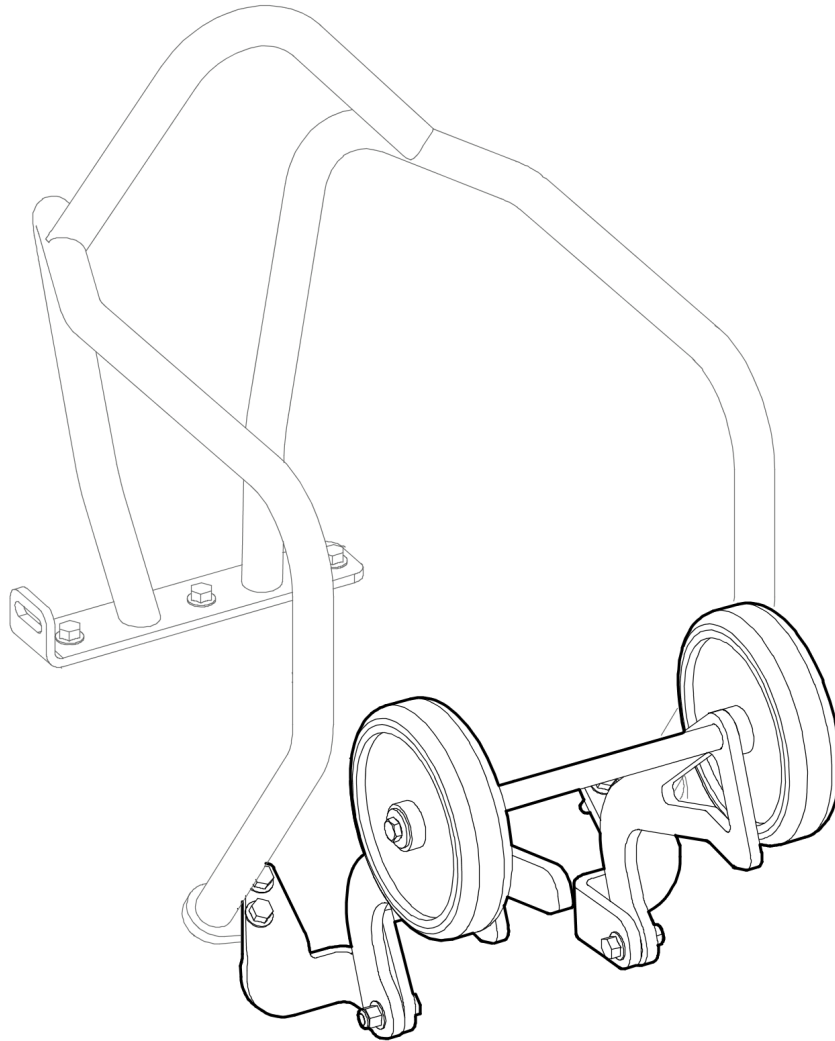
B | See section "Ground plate installation".

Service, repair and wear part kits Block paving plate kit 420 mm (16.5 in.)



Item	Part No.	Name	Qty	L
1	594868101	Block paving plate kit	1	
1	594484601	Polyurethane plate, 420 mm, 16.5 in.	1	
2	594484701	Bracket	1	
3	595065501	Nut, M8 x 1.25 mm A2K	2	
4	595066601	Washer, 8.4x 6x1.5 mm 300HV	2	
5	594522501	Screw, M8 x 75 mm 8.8 A2K	2	

Service, repair and wear part kits Transport device kit



Item	Part No.	Name	Qty	L
1	594204901	Transport device kit	1	
2	594648701	Bracket	1	A
3	594648901	Bracket	1	B
4	595061001	Washer, 8,4x25x2 mm	4	
5	594648801	Fork	1	
6	595466601	Screw, M8x30 mm 8.8 A2K	2	
7	595064601	Lock nut, M8x1.25 mm A2K	2	
8	594455501	Wheel	2	
9	595053901	Hex. screw	2	
10	594462701	Shock absorber	1	
11	594651001	Hook	1	
12	595064701	Nut, M10	1	
13	595066701	plain washer	1	
14	595055201	Screw, M10x20 mm 8.8 A3K	1	
15	595185701	Screw, M8x25mm 8.8 A2K	4	
16	-	Screw, M8 x 35 mm 8.8 A2K	4	

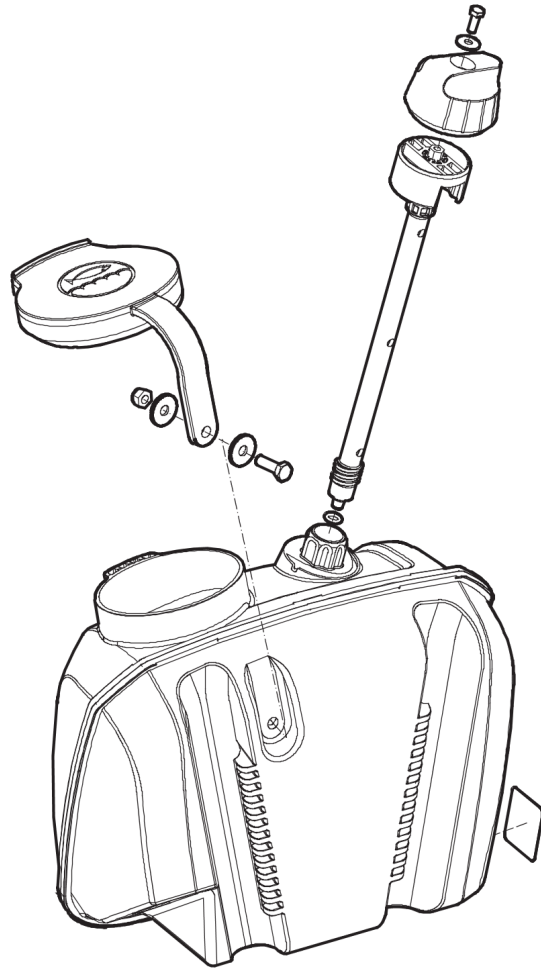
Comments for Page: Transport device kit

(L)OCAL REMARKS

A | Left

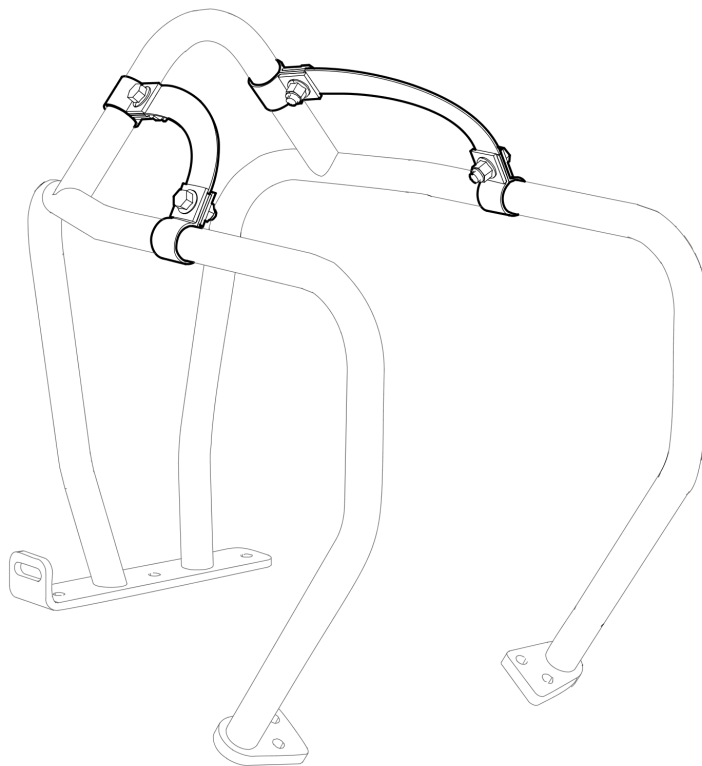
B | Right

Service, repair and wear part kits Sprinkler system kit



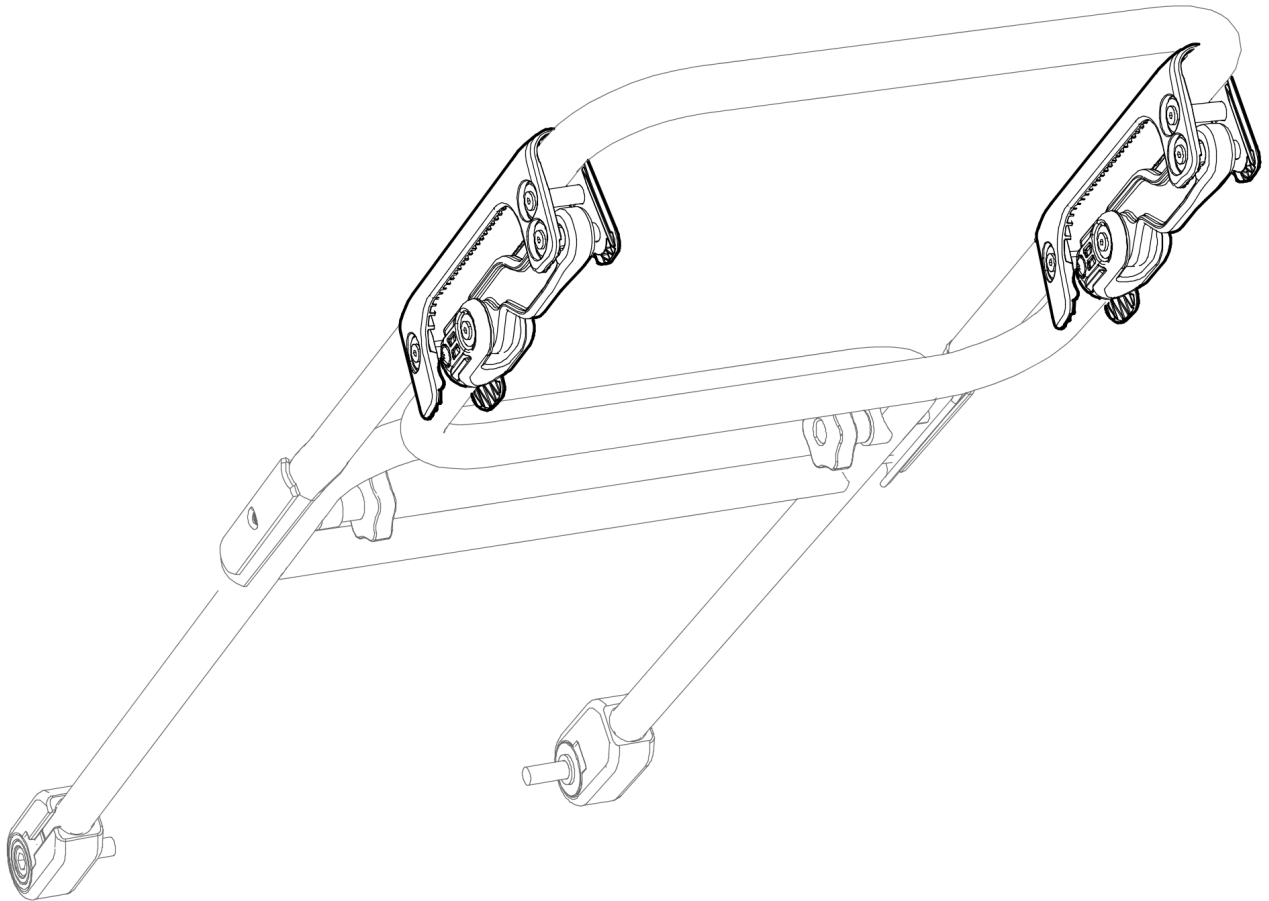
Item	Part No.	Name	Qty	L
1	595120801	Sprinkler system kit	1	
2	594961101	Water tank	1	
3	594212301	Valve rod, complete	1	
4	594481101	Handle	1	
5	595061001	Washer, 8,4x25x2 mm	2	
6	595465901	Screw, M8x25 mm 8.8 A2K	1	
7	595062701	Nut, M8 -8 DIN985	1	
8	595069601	Washer, 6.4x18x1.6 mm	1	
9	595465701	Screw, M6x16 mm 8.8 A2K	1	
10	594481401	Cap	1	
11	594483301	Label	1	
12	595360801	Label	1	

Service, repair and wear part kits Fork lifting device kit



Item	Part No.	Name	Qty	L
1	595503101	Fork lifting device kit	1	
2	594489901	Strap	1	
3	595185701	Screw, M8x25mm 8.8 A2K	4	
4	595182701	Washer, 9 x 25 x 3 mm, 0.35 x 0.98 x 0.12 in.	8	
5	595064601	Lock nut, M8x1.25 mm A2K	8	

Service, repair and wear part kits Vibration damped handle kit



Item	Part No.	Name	Qty	L
1	594205001	Vibration damped handle kit	1	
2	594482201	Bracket	2	
3	594524701	Jointing nut, M6 x 30 mm 8.8	8	
4	594526701	Screw, M6 x 12 mm 10.9 A2T	16	
5	594480501	Shock absorber	2	
6	594482101	Bracket	2	
7	594166301	Handle	1	
8	594525001	Screw, M5 x 10 mm A2K	8	
9	594526601	Washer, 6.4x18x1.6 mm A2T	16	

Refurbishment kits 595388001 GoldKit LF 80

1	595388001	Gold Kit LF 80	
Ground Plate and Eccentric System			
2	Eccentric System	Eccentric Element Repair Kit	1
3		V-Belt Pulley	1
4		Screw	6
5		Lock Washer	6
6		Shock absorber repair kit	1
Cosmetic Kit			
7	Covers	Cover	1
8		Belt guard, outer	1
9		Screw	3
10		Nut	1
11		Screw	3
12		Screw	1
13		Lock spring	1
14		Washer	3
15		Screw	2
16		Handle	Handle Kit
17	Labeling	Product Label Kit	1
Engine			
18	Service Kit	Yearly Service Kit	1

Item	Part No.	Name	Qty	L
1	595388001	Gold Kit LF 80	1	
-	--	Ground Plate and Eccentric System	1	
2	-	Eccentric Element Repair Kit	1	
3	-	V-Belt Pulley	1	
4	-	Screw	6	
5	-	Lock Washer	6	
6	-	Shock absorber repair kit	1	
-	--	Cosmetic Kit	1	
7	-	Cover	1	
8	-	Belt guard, outer	1	
9	-	Screw	3	
10	-	Nut	1	
11	-	Screw	3	
12	-	Screw	1	
13	-	Lock Spring	1	
14	-	Flat gasket	3	
15	-	Screw	2	
16	-	Handle Kit	1	
17	-	Product Label Kit	1	
-	--	Engine and Transmission	1	
18	-	Yearly Service Kit	1	

Refurbishment kits 594219101 SilverKit LF 80

1	594219101	Silver Kit LF 80	
Ground Plate and Eccentric System			
2	Eccentric System	Eccentric Element Repair Kit	1
3		V-Belt Pulley	1
4		Screw	6
5		Lock Washer	6
6		Shock absorber repair kit	1
Engine			
7	Service Kit	Yearly Service Kit	1

Item	Part No.	Name	Qty	L
1	594219101	Silver Kit LF 75 LAT	1	
-	--	Ground Plate and Eccentric System	1	
2	-	Eccentric Element Repair Kit	1	
3	-	V-Belt Pulley	1	
4	-	Screw	6	
5	-	Lock Washer	6	
6	-	Shock absorber repair kit	1	
-	--	Engine and Transmission	1	
7	-	Yearly Service Kit	1	

Refurbishment kits 595386301 CosmeticKit LF 80

1	595386301	Cosmetic Kit	
2	-	Cover	1
3	-	Belt guard, outer	1
4	-	Screw	3
5	-	Nut	1
6	-	Screw	3
7	-	Screw	1
8	-	Lock Spring	1
9	-	Washer	3
10	-	Screw	2
11	Handle	Handle Kit	1
12	Labeling	Product Label Kit	1

Item	Part No.	Name	Qty	L
1	595386301	Cosmetic Kit	1	
2	-	Cover	1	
3	-	Belt guard, outer	1	
4	-	Screw	3	
5	-	Nut	1	
6	-	Screw	3	
7	-	Screw	1	
8	-	Lock Spring	1	
9	-	Flat gasket	3	
10	-	Screw	2	
11	-	Handle Kit	1	
12	-	Product Label Kit	1	

Refurbishment kits 595388101 GoldKit LF 80 LAT

1	595388101	Gold Kit LF 80 LAT		
Ground Plate and Eccentric System				
2	Eccentric System	Eccentric Element Repair Kit	1	
3		V-Belt Pulley	1	
4		Screw	6	
5		Lock Washer	6	
6		Shock absorber repair kit	1	
Cosmetic Kit				
7	Covers	Belt guard, outer	1	
8		Screw	3	
9		Nut	1	
10		Screw	3	
11		Screw	1	
12		Lock spring	1	
13		Washer	3	
14		-	Screw	2
15		-	Sprinkler Water System	1
16		Handle	Handle Kit	1
17	Labeling	Product Label Kit	1	
Engine				
18	Engine parts	Yearly Service Kit	1	

Item	Part No.	Name	Qty	L
1	595388101	Gold Kit LF 80 LAT	1	
-	--	Ground Plate and Eccentric System	1	
2	-	Eccentric Element Repair Kit	1	
3	-	V-Belt Pulley	1	
4	-	Screw	6	
5	-	Lock Washer	6	
6	-	Shock absorber repair kit	1	
-	--	Cosmetic Kit	1	
7	-	Belt guard, outer	1	
8	-	Screw	3	
9	-	Nut	1	
10	-	Screw	3	
11	-	Screw	1	
12	-	Lock Spring	1	
13	-	Flat gasket	3	
14	-	Screw	2	
15	-	Sprinkler Water System	1	
16	-	Handle Kit	1	
17	-	Product Label Kit	1	
-	--	Engine and Transmission	1	
18	-	Yearly Service Kit	1	

Refurbishment kits 594219101 SilverKit_LF_80_LAT

1	594219101	Silver Kit LF 80 LAT	
Ground Plate and Eccentric System			
2	Eccentric System	Eccentric Element Repair Kit	1
3		V-Belt Pulley	1
4		Screw	6
5		Lock Washer	6
6		Shock absorber repair kit	1
Engine			
7	Engine parts	Yearly Service Kit	1

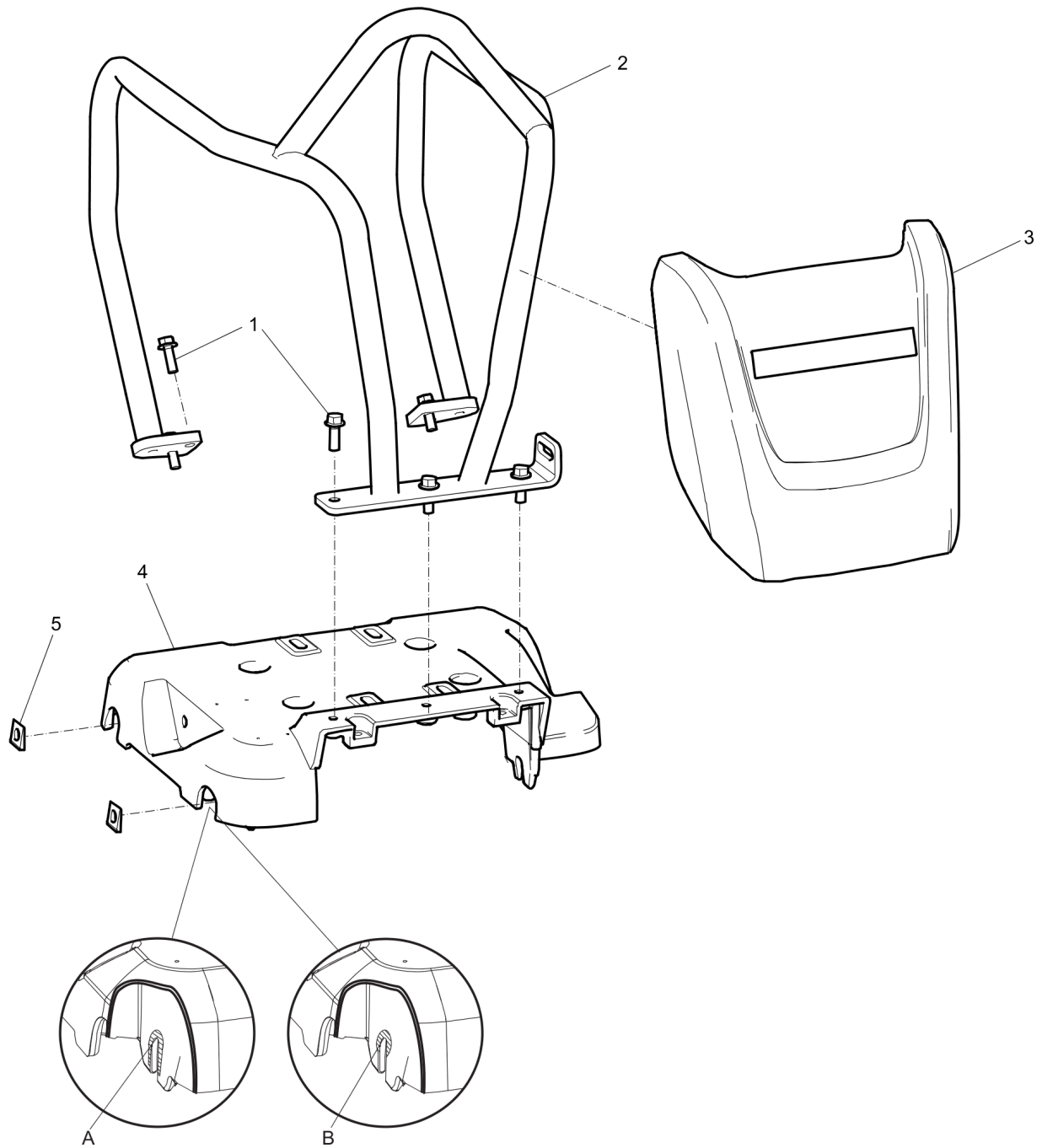
Item	Part No.	Name	Qty	L
1	594219101	Silver Kit LF 75 LAT	1	
-	--	Ground Plate and Eccentric System	1	
2	-	Eccentric Element Repair Kit	1	
3	-	V-Belt Pulley	1	
4	-	Screw	6	
5	-	Lock Washer	6	
6	-	Shock absorber repair kit	1	
-	--	Engine and Transmission	1	
7	-	Yearly Service Kit	1	

Refurbishment kits 594215801 CosmeticKit LF 80 LAT

1	594215801	Cosmetic Kit	
2	-	Belt guard, outer	1
3	-	Screw	3
4	-	Nut	1
5	-	Screw	3
6	-	Screw	1
7	-	Lock Spring	1
8	-	Washer	3
9	-	Screw	2
10	-	Sprinkler Water System	1
11	-	Handle Kit	1
12	-	Product Label Kit	1

Item	Part No.	Name	Qty	L
1	594215801	200 Hours Service Kit / 12 Months Service Kit	1	
2	-	Belt guard, outer	1	
3	-	Screw	3	
4	-	Nut	1	
5	-	Screw	3	
6	-	Screw	1	
7	-	Lock Spring	1	
8	-	Flat gasket	3	
9	-	Screw	2	
10	-	Sprinkler Water System	1	
11	-	Handle Kit	1	
12	-	Product Label Kit	1	

Spare parts list Engine plate installation, Honda



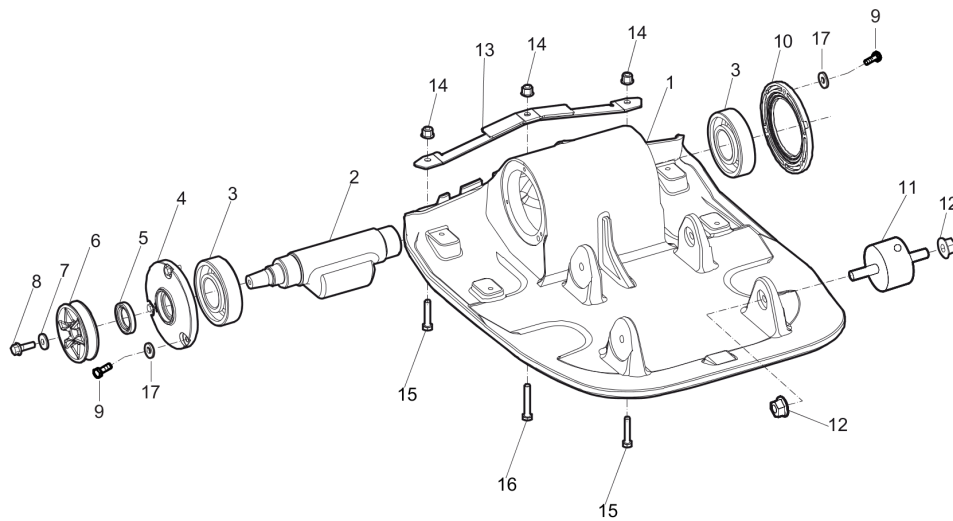
Item	Part No.	Name	Qty	L
1	595185701	Screw, M8x25mm 8.8 A2K	7	
2	594144601	Protective frame	1	
3	594958001	Cover	1	
4	594145401	Engine plate	1	
5	594526401	Square taper washer	2	A

Comments for Page: Engine plate installation, Honda

LOCAL REMARKS

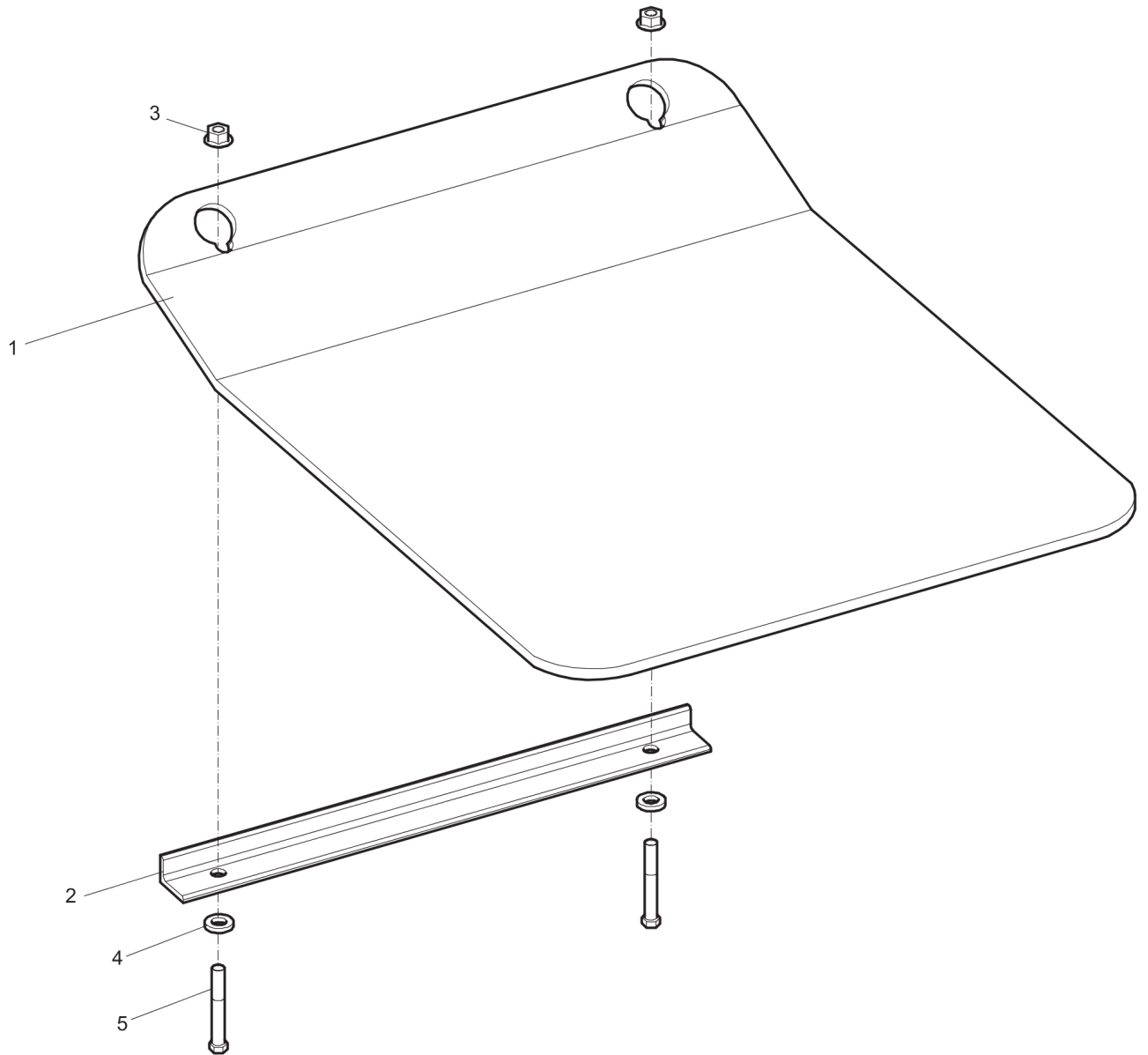
A | For engine plate with flat machined contact surface for washers.

Spare parts list Ground plate installation



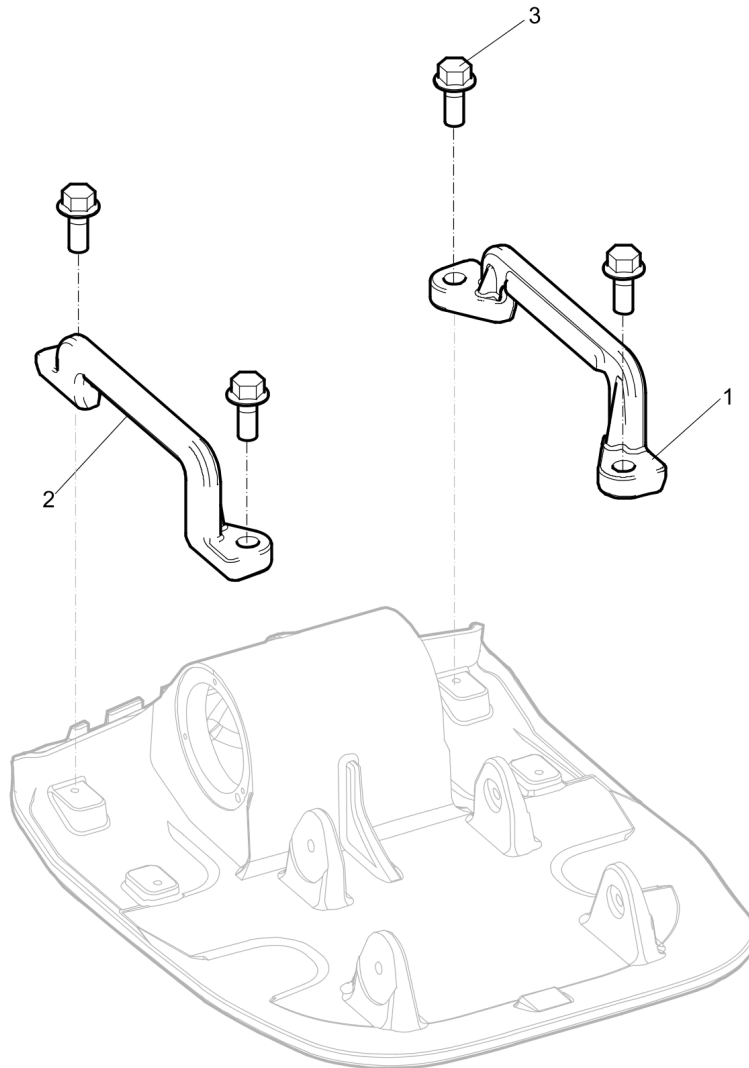
Item	Part No.	Name	Qty	L
1	594650801	Ground plate	1	
2	594644001	Eccentric shaft	1	
3	594526101	Ball bearing	2	
4	594490101	Cover	1	
5	594128301	Lip-type oil seal	1	
6	594486701	V-belt pulley	1	
7	594123401	Washer, 8.4 x 16 x 1.5 mm, 0.33 x 0.63 x 0.06 in. 300 HV	1	
8	594120001	Screw, M8 x 25 mm 8.8 A2K	1	
9	595033201	Hex. head screw	6	
10	594490201	Cover	1	
11	594341901	Shock absorber	4	
12	595181201	Nut, M10 x 1.5 mm GEOMET®	8	
13	594653301	Sprinkler bar, 420 mm, 16.5 in.	1	
14	595064601	Lock nut, M8x1.25 mm A2K	3	
15	595466101	Screw, M8x40 mm 8.8 A2K	2	
16	595054201	Screw, M8x50 mm 8.8 A2K	1	
17	594124601	Lock washer	6	

Spare parts list Block paving plate 420 mm (16.5 in.)



Item	Part No.	Name	Qty	L
1	594484601	Polyurethane plate, 420 mm, 16.5 in.	1	
2	594484701	Bracket	1	
3	595065501	Nut, M8 x 1.25 mm A2K	2	
4	595066601	Washer, 8.4x 6x1.5 mm 300HV	2	
5	594522501	Screw, M8 x 75 mm 8.8 A2K	2	

Spare parts list Lifting handle



Item	Part No.	Name	Qty	L
1	594486801	Handle	1	A
2	594486901	Handle	1	B
3	595179401	Screw, M8x20 mm 8.8 A2K	4	

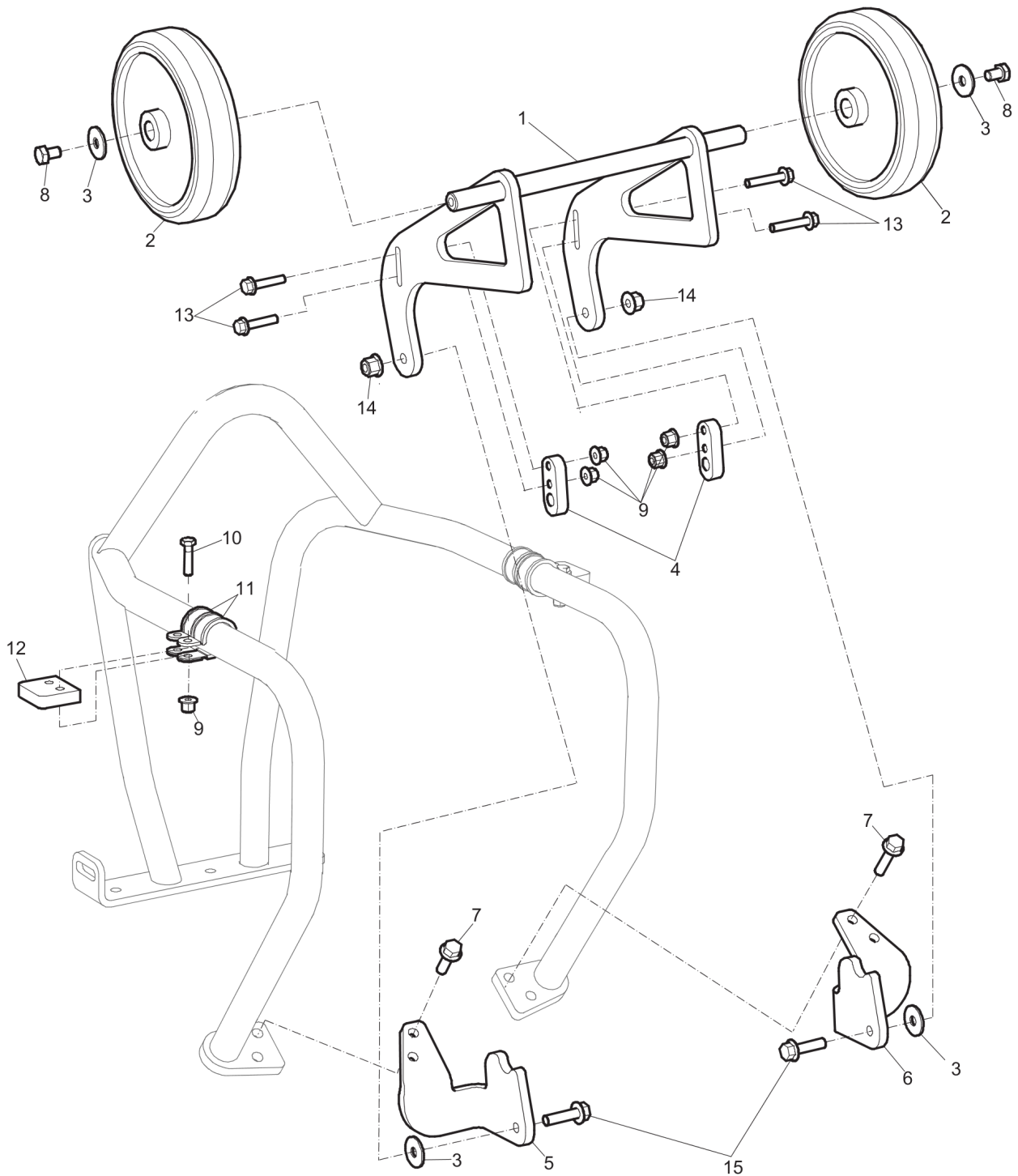
Comments for Page: Lifting handle

(L)OCAL REMARKS

A | Right

B | Left

Spare parts list Transport device, old version



Refer to the Parts Online web page for most up-to-date information. The printed information might be outdated.

Item	Part No.	Name	Qty	L
1	594145801	Fork	1	
2	594455501	Wheel	2	
3	595061001	Washer, 8,4x25x2 mm	4	
4	594485101	Lock	2	
5	594145601	Bracket	1	A
6	594145701	Bracket	1	B
7	595185801	Screw, M8 x 35 mm 8.8	4	
8	595053901	Hex. screw	2	
9	595064501	Nut	8	C
10	595466301	Screw, M6-1,0x25 mm 8.8	4	
11	595068501	Pipe clamp	4	
12	594646001	Stop	2	
13	594499001	Screw, M6x30 mm 8.8 A2K	4	
14	595064601	Lock nut, M8x1.25 mm A2K	2	
15	595466601	Screw, M8x30 mm 8.8 A2K	2	

Comments for Page: Transport device, old version

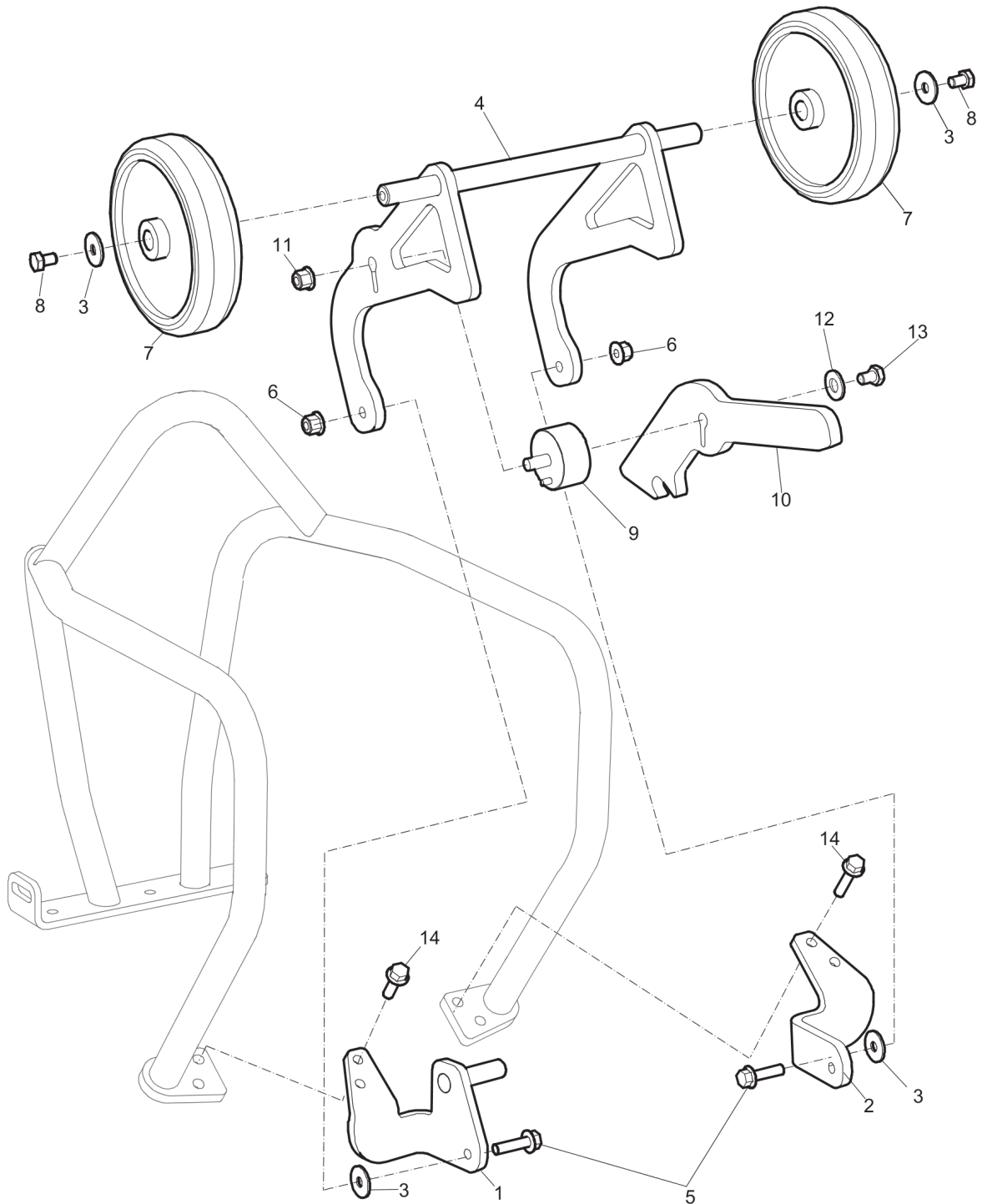
(L)OCAL REMARKS

A | Left

B | Right

C | M 6

Spare parts list Transport device, new version



Refer to the Parts Online web page for most up-to-date information. The printed information might be outdated.

Item	Part No.	Name	Qty	L
1	594648701	Bracket	1	A
2	594648901	Bracket	1	B
3	595061001	Washer, 8,4x25x2 mm	4	
4	594648801	Fork	1	
5	595466601	Screw, M8x30 mm 8.8 A2K	2	
6	595064601	Lock nut, M8x1.25 mm A2K	2	
7	594455501	Wheel	2	
8	595053901	Hex. screw	2	
9	594462701	Shock absorber	1	
10	594651001	Hook	1	
11	595064701	Nut, M10	1	
12	595066701	plain washer	1	
13	595055201	Screw, M10x20 mm 8.8 A3K	1	
14	595185701	Screw, M8x25mm 8.8 A2K	4	

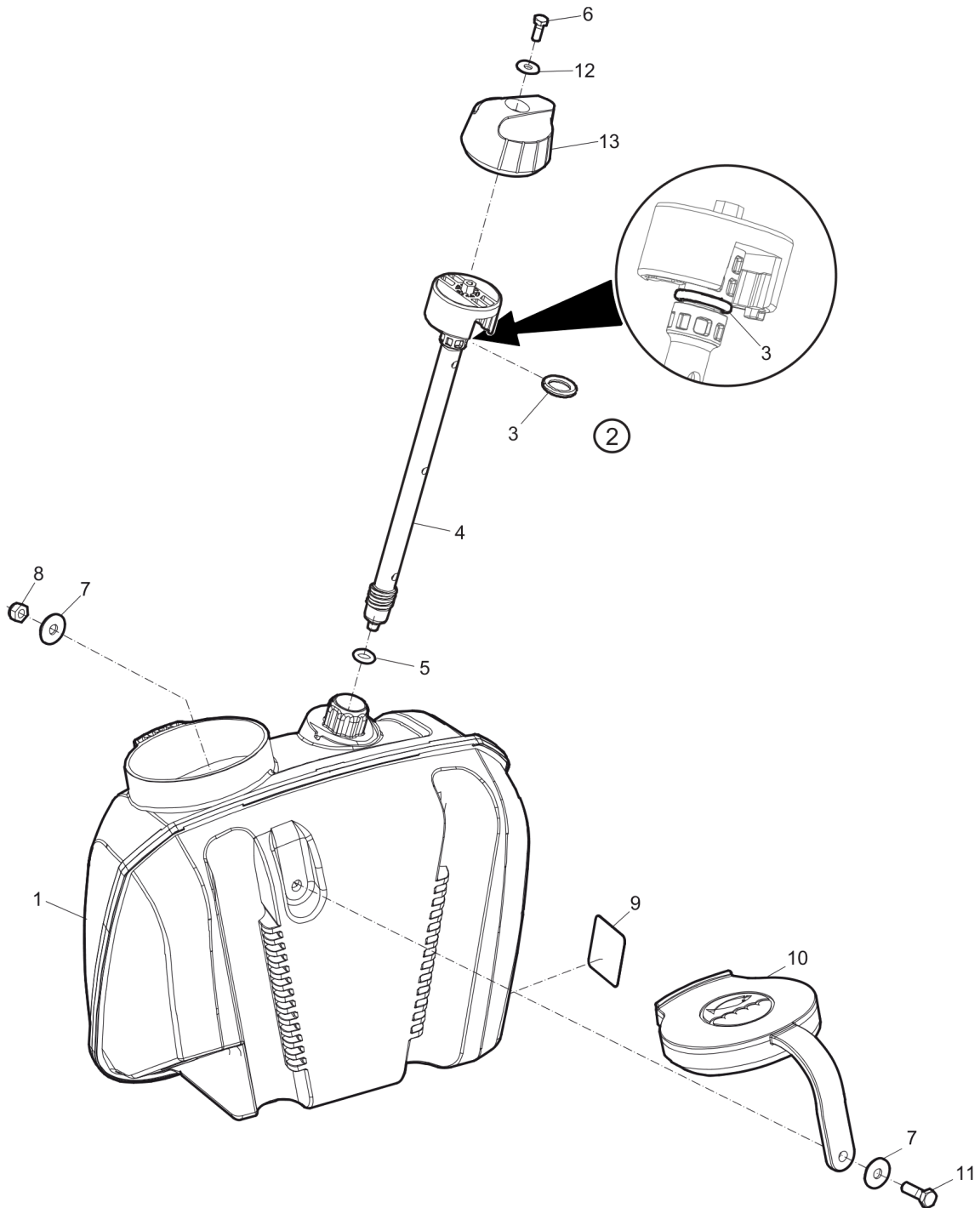
Comments for Page: Transport device, new version

(L)OCAL REMARKS

A | left

B | Right

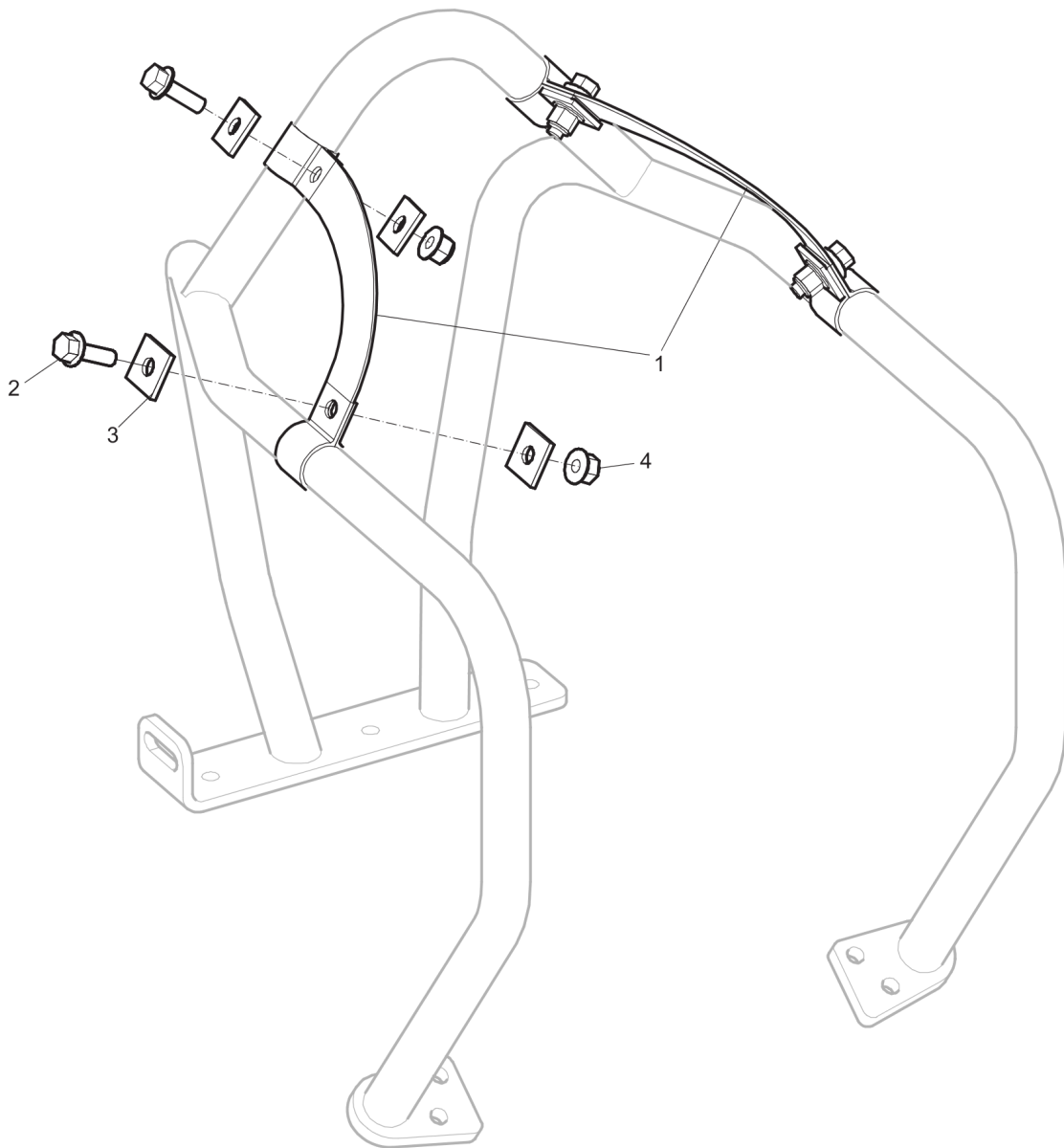
Spare parts list Sprinkler system



Refer to the Parts Online web page for most up-to-date information. The printed information might be outdated.

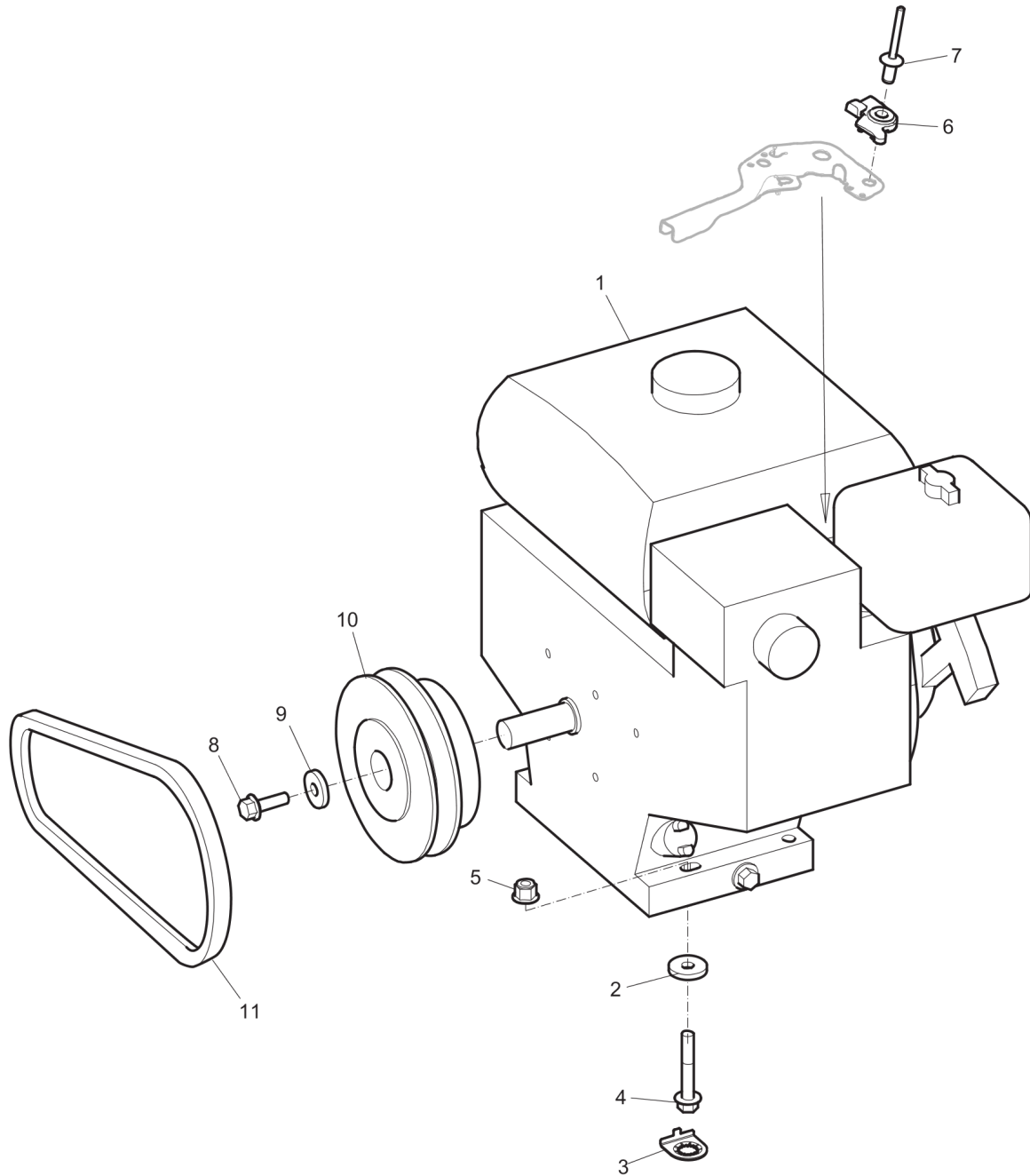
Item	Part No.	Name	Qty	L
1	594961101	Water tank	1	
2	594212301	Valve rod, complete	1	
3	594127901	O-ring, 15 x 4 mm	1	
4	-	Valve rod	1	
5	594128001	O-ring, 8 x 2.5 mm	1	
6	595465701	Screw, M6x16 mm 8.8 A2K	1	
7	595061001	Washer, 8,4x25x2 mm	2	
8	595062701	Nut, M8 -8 DIN985	1	
9	594483301	Label	1	
10	594481401	Cap	1	
11	595465901	Screw, M8x25 mm 8.8 A2K	1	
12	595069601	Washer, 6.4x18x1.6 mm	1	
13	594481101	Handle	1	

Spare parts list Fork lifting device



Item	Part No.	Name	Qty	L
1	594489901	Strap	2	
2	595185701	Screw, M8x25mm 8.8 A2K	4	
3	595182701	Washer, 9 x 25 x 3 mm, 0.35 x 0.98 x 0.12 in.	8	
4	595064601	Lock nut, M8x1.25 mm A2K	4	

Spare parts list Engine installation, Honda



Refer to the Parts Online web page for most up-to-date information. The printed information might be outdated.

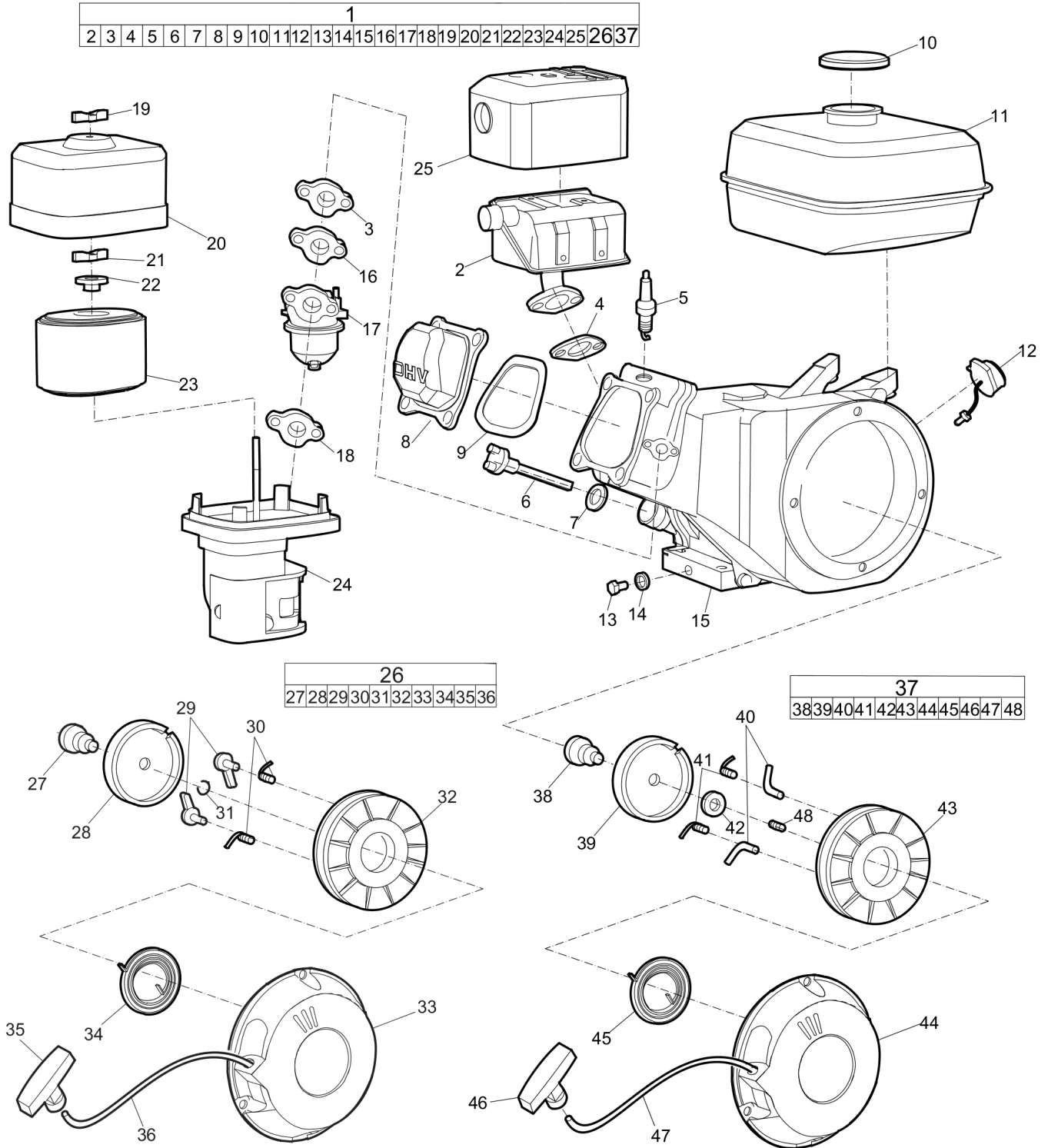
Item	Part No.	Name	Qty	L
1	594329901	Engine, Honda GX160UT2 SXS4 SD	1	A
2	595068001	Washer, 8.4x26x4 mm 300 HV	4	
3	594484201	Washer	4	
4	594499101	Screw, M8x50 mm 8.8 A2K	4	
5	595064601	Lock nut, M8x1.25 mm A2K	4	
6	595177601	Stiffener	1	
7	-	Blind rivet, 6.4 x 12 mm , 0.25 x 0.47 in.	1	
8	595185701	Screw, M8x25mm 8.8 A2K	1	
9	595068001	Washer, 8.4x26x4 mm 300 HV	1	
10	594480101	Centrifugal clutch	1	
11	594488801	V-belt	1	

Comments for Page: Engine installation, Honda

(L)OCAL REMARKS

A | Honda GX160UT2 SXS4 SD

Spare parts list Engine, Honda GX 160 UT2 SXS4 OH



Refer to the Parts Online web page for most up-to-date information. The printed information might be outdated.

Item	Part No.	Name	Qty	L
1	594329901	Engine, Honda GX160UT2 SXS4 SD	1	
2	594203601	Silencer	1	
3	594204101	Gasket	1	
4	594300401	Gasket, muffler	1	
5	594204001	Plug, spark (bpr6es) (ngk)	1	
6	594203801	Cap assy., oil filler	1	
7	594203901	Gasket	1	
8	595471101	Cover comp., head	1	
9	595048801	Gasket	1	
10	594204601	Fuel cap	1	
11	594204501	Fuel tank	1	
12	594204401	Switch assy., engine stop	1	
13	595452801	Oil plug	1	
14	595048901	Oil plug gasket	1	
15	-	Engine part	1	
16	594572601	Gasket	1	
17	594203701	Carburetor	1	
18	595070001	Spacer	1	
19	595049301	Nut	1	
20	595049201	Cover	1	
21	595049301	Nut	1	
22	595049401	Grommet	1	
23	594302101	Air Filter, complete	1	A
24	594582401	Air filter housing	1	
25	594300201	Muffler cover, upper	1	
26	594300601	Recoil starter, cpl	1	B, E
27	594304501	Screw	1	
28	594304401	Guide	1	
29	594304201	Ratchet	2	B
30	594304101	Spring	2	
31	594304301	Friction spring	1	B
32	594304001	Reel	1	
33	-	Housing	1	
34	594303901	Spring	1	
35	594304801	Grip, starter	1	
36	595049101	Starting rope	1	
37	594204801	Starter assy., recoil *nh1*	1	C, D
38	595381301	Adjustment screw	1	C

Refer to the Parts Online web page for most up-to-date information. The printed information might be outdated.

Item	Part No.	Name	Qty	L
39	594304401	Guide	1	
40	594204201	Ratchet	2	C
41	594304101	Spring	2	
42	595131001	Friction washer	1	C
43	594204301	Reel	1	C
44	-	Housing	1	
45	594303901	Spring	1	
46	594304801	Grip, starter	1	
47	595049101	Starting rope	1	
48	594204701	Friction spring	1	

Comments for Page: Engine, Honda GX 160 UT2 SXS4 OH

(L)OCAL REMARKS

A | Delivered with outer and inner filter.

B | Valid up to engine serial number 1411005.

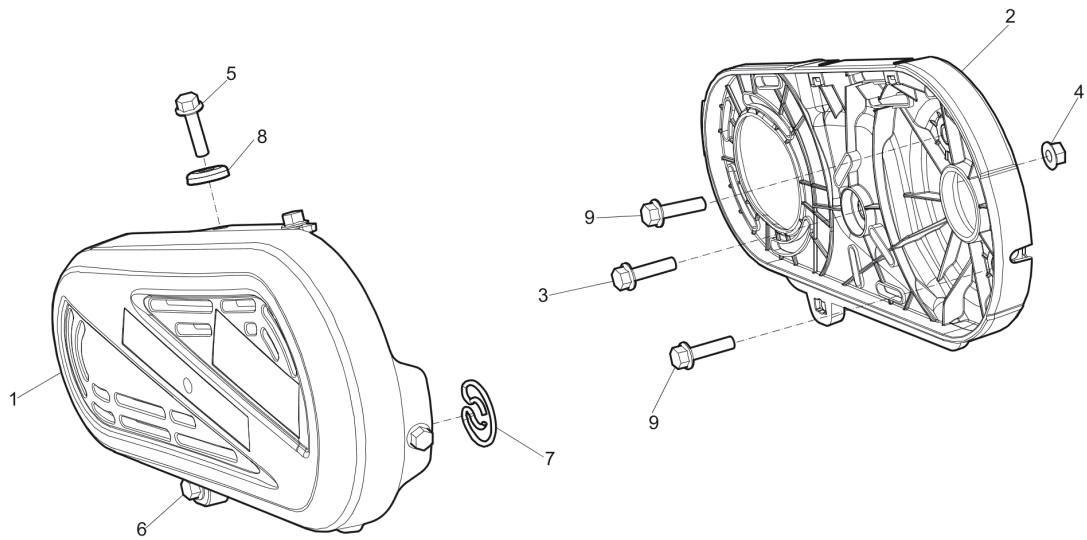
C | Valid from engine serial number 1411006.

D | Black

E | Red

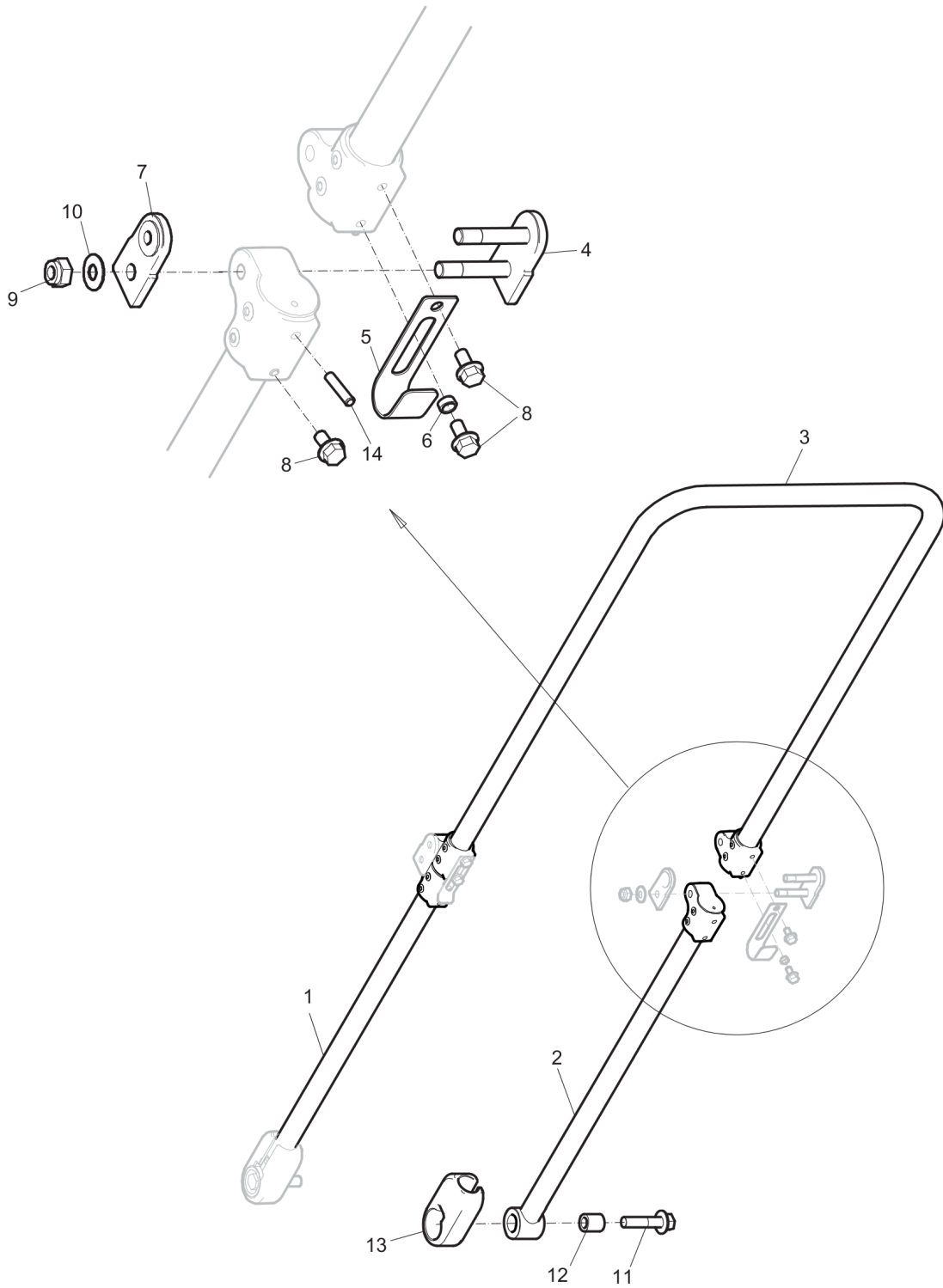
This page intentionally left blank

Spare parts list Transmission cover, Honda



Item	Part No.	Name	Qty	L
1	594960701	Belt guard, inner	1	
2	594483101	Belt guard, outer	1	
3	594120001	Screw, M8 x 25 mm 8.8 A2K	3	
4	595065501	Nut, M8 x 1.25 mm A2K	1	
5	594119801	Flange screw	3	
6	594648001	Screw, M8 x 25 mm 8.8 A2K	1	
7	594650201	Lock spring	1	
8	594647801	Washer	3	
9	594746701	Screw, M8 x 20 mm 8.8 A2K	2	

Spare parts list Standard handle, old version



Item	Part No.	Name	Qty	L
1	594144001	Handle	1	A
2	594144101	Handle	1	B
3	594144201	Handle	1	
4	594482801	Link	2	
5	594484501	Cover	2	
6	594485201	Spacer sleeve	2	
7	594485301	Washer	2	
8	594525201	Screw, M6 x 40 mm A2K	6	
9	595062701	Nut, M8 -8 DIN985	4	
10	594525101	Disc spring, 18 x 8.2 x 1 mm, 0.71 x 0.32 x 0.04 in.	4	
11	594530001	Screw, M12 x 50 mm 8.8 A3K	2	
12	594480301	Sleeve bearing	2	
13	594480401	Shock absorber	2	
14	594525601	Spirol pin, 5 x 25 mm, 0.20 x 0.98 in.	2	

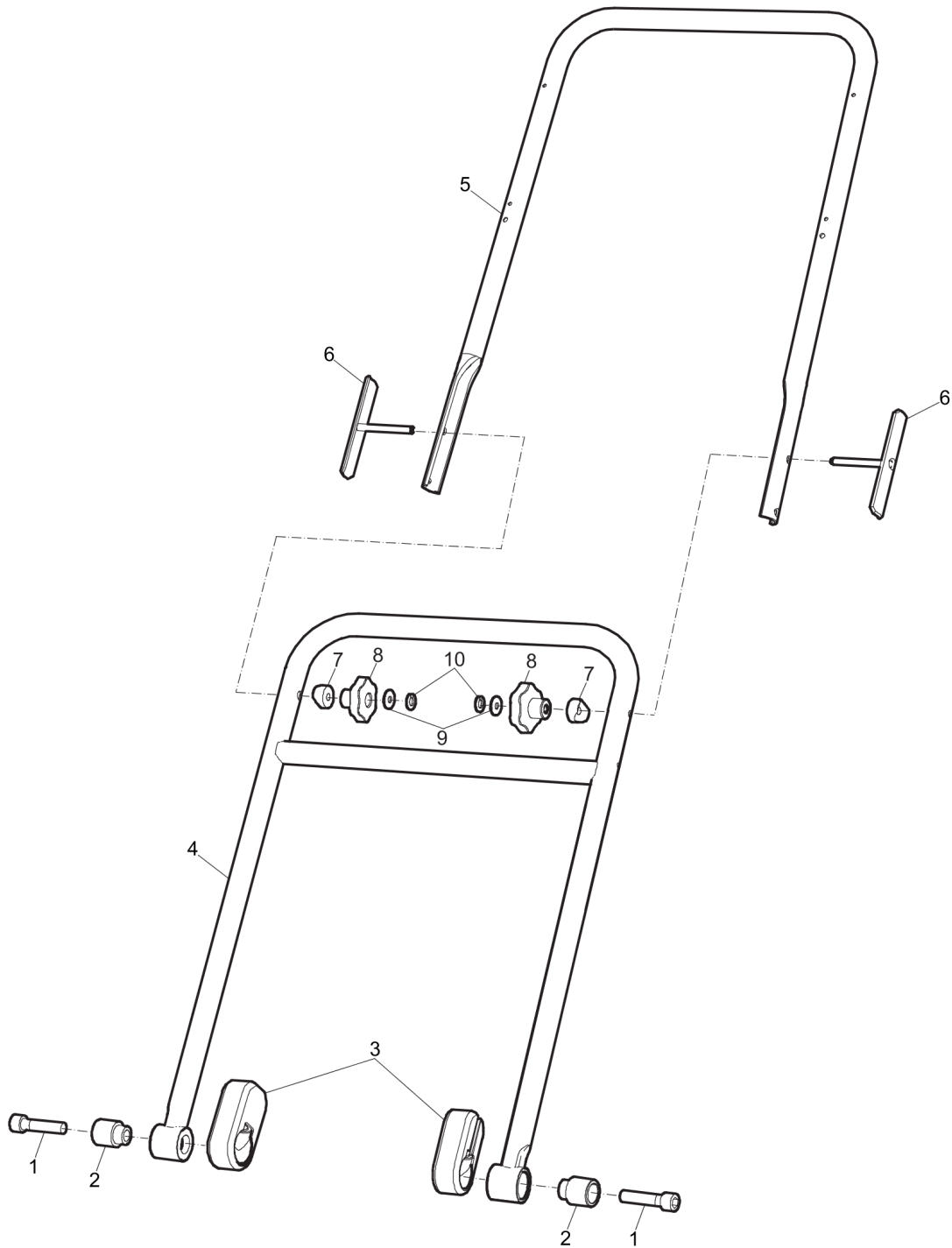
Comments for Page: Standard handle, old version

(L)OCAL REMARKS

A | Left

B | Right

Spare parts list Standard handle for Honda, new version



Refer to the Parts Online web page for most up-to-date information. The printed information might be outdated.

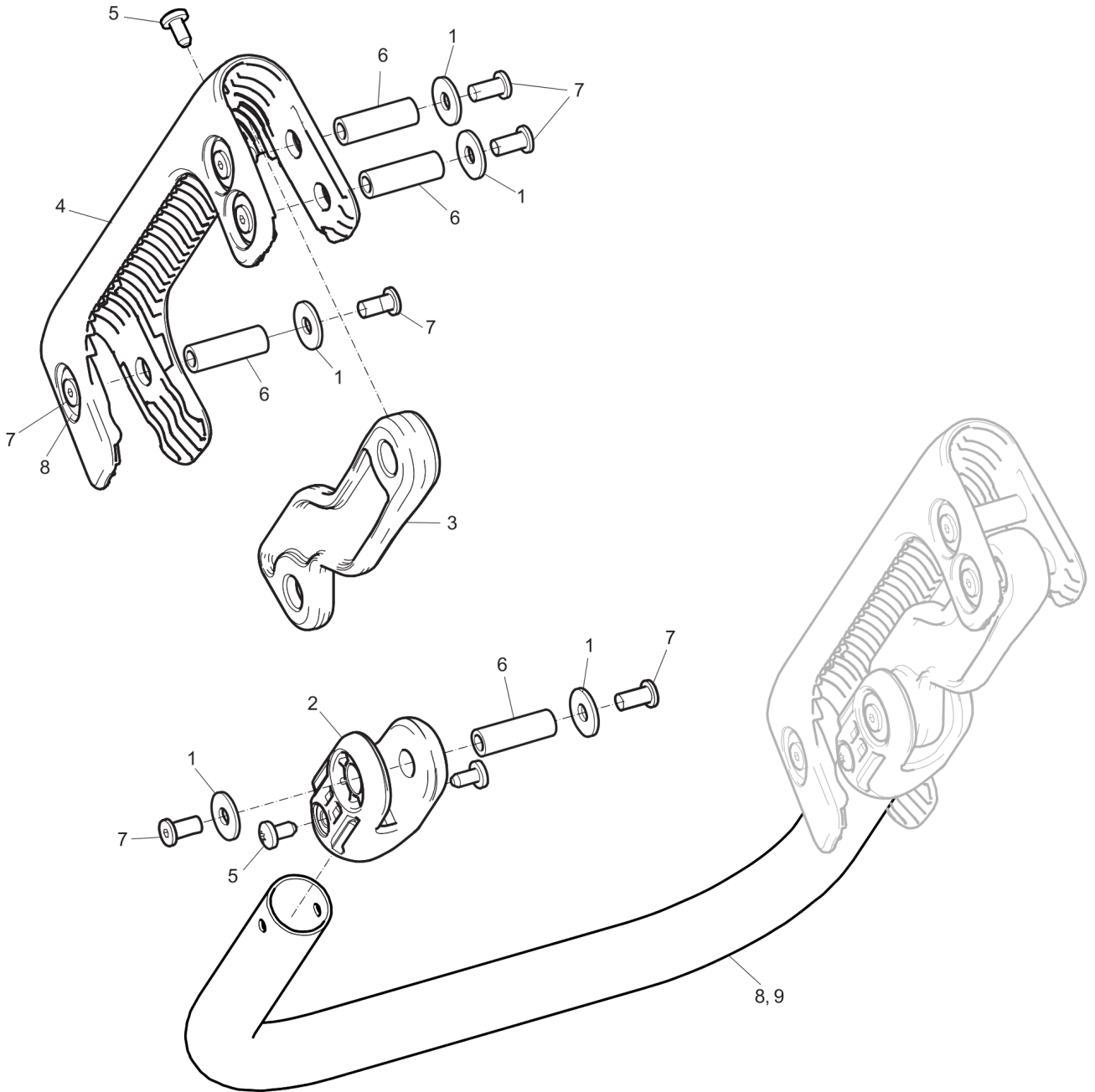
Item	Part No.	Name	Qty	L
1	595058101	Screw, M12 x 50 mm 8.8 A3K , See section "Handle, standard".	2	
2	594654701	Sleeve	2	
3	594480401	Shock absorber	2	
4	594654001	Handle	1	
5	594654101	Handle	1	A
6	594654401	Bracket	2	
7	594654201	Sleeve	2	
8	594654301	Knob	2	
9	595067101	Washer, 5,3x10x1 300HV	2	
10	594265501	Retainer ring, 4.8 x 7 x 0.6 mm, 0.18 x 0.26 x 0.02 in.	2	

Comments for Page: Standard handle for Honda, new version

LOCAL REMARKS

A | Upper

Spare parts list Vibration damped handle



Refer to the Parts Online web page for most up-to-date information. The printed information might be outdated.

Item	Part No.	Name	Qty	L
1	594526601	Washer, 6.4x18x1.6 mm A2T	16	
2	594482201	Bracket	2	
3	594480501	Shock absorber	2	
4	594482101	Bracket	2	
5	594525001	Screw, M5 x 10 mm A2K	8	
6	594524701	Jointing nut, M6 x 30 mm 8.8	8	
7	594526701	Screw, M6 x 12 mm 10.9 A2T	16	
8	594480601	Handle	1	A
9	594166301	Handle	1	B

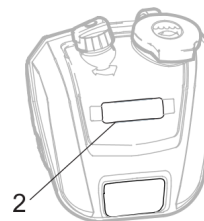
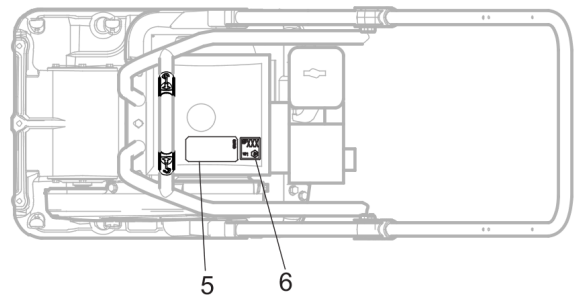
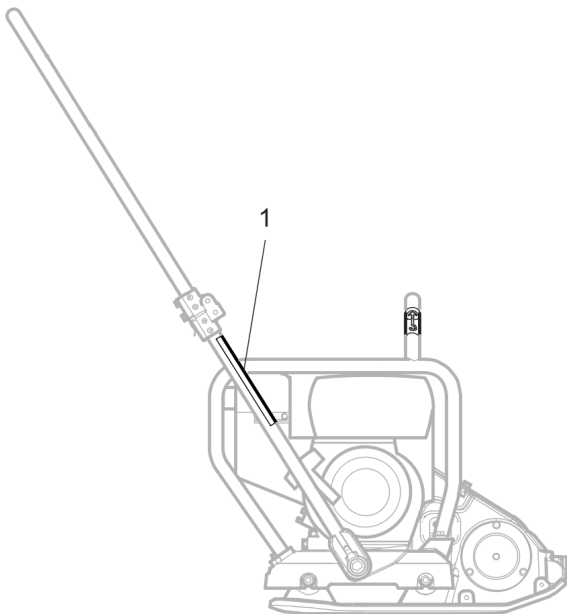
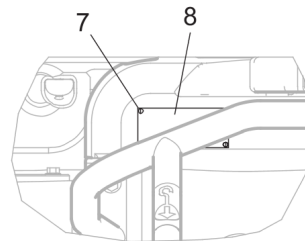
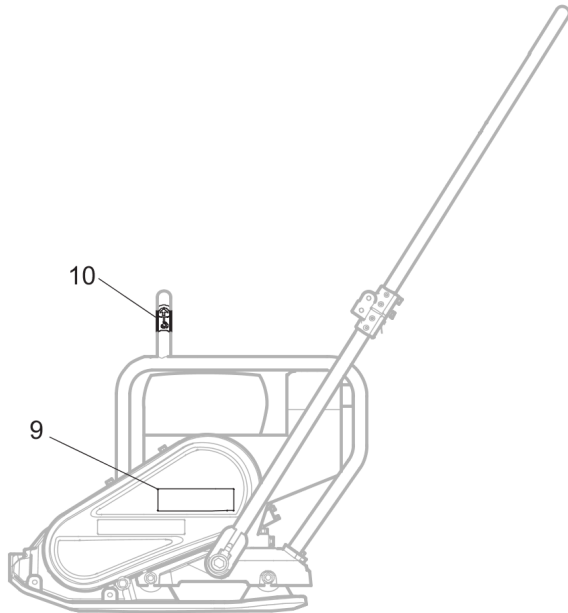
Comments for Page: Vibration damped handle

(L)OCAL REMARKS

A | Old version

B | New version, use together with new standard handles.

Spare parts list Labels



Item	Part No.	Name	Qty	L
1	594486201	Label, start instruction	1	A
2	595376501	Product label	2	B
5	594486301	Instruction label	1	E
6	595468301	Decal "SOUND POWER LEVEL"	1	C
7	-	Drive screw	4	
8	-	Data plate (Not available separately)	1	D
9	595120201	Product label	1	F
10	595051201	Label lifting point	1	G

Comments for Page: Labels

(L)OCAL REMARKS

A | Start instruction

B | "-"

C | "LF 80"

D | "LF 80"

E | Assembly

F | "LF 80"

G | Lift point

Any unauthorized use or copying of the contents or any part thereof is prohibited. This applies in particular to trademarks, model denominations, part numbers, and drawings.